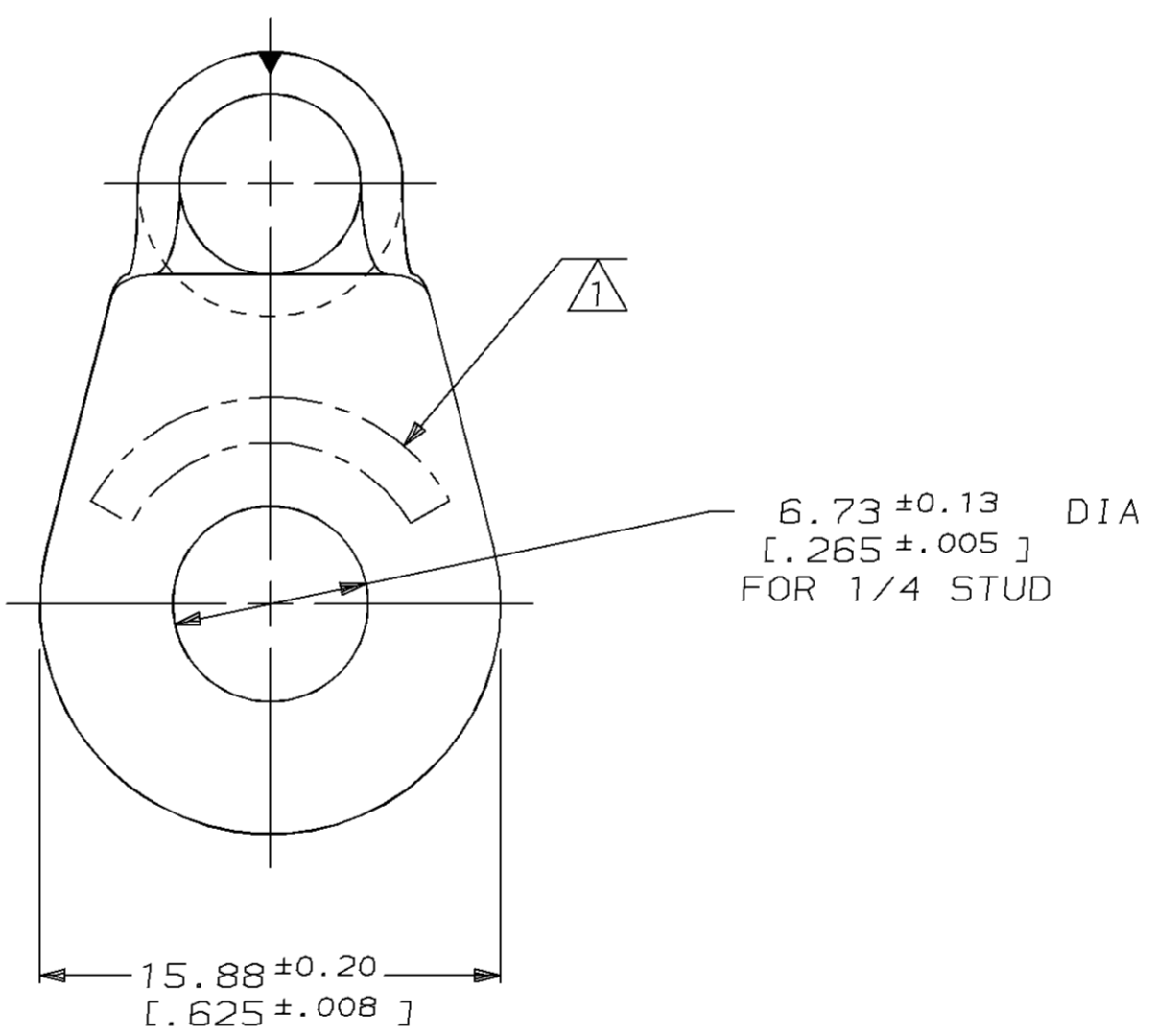
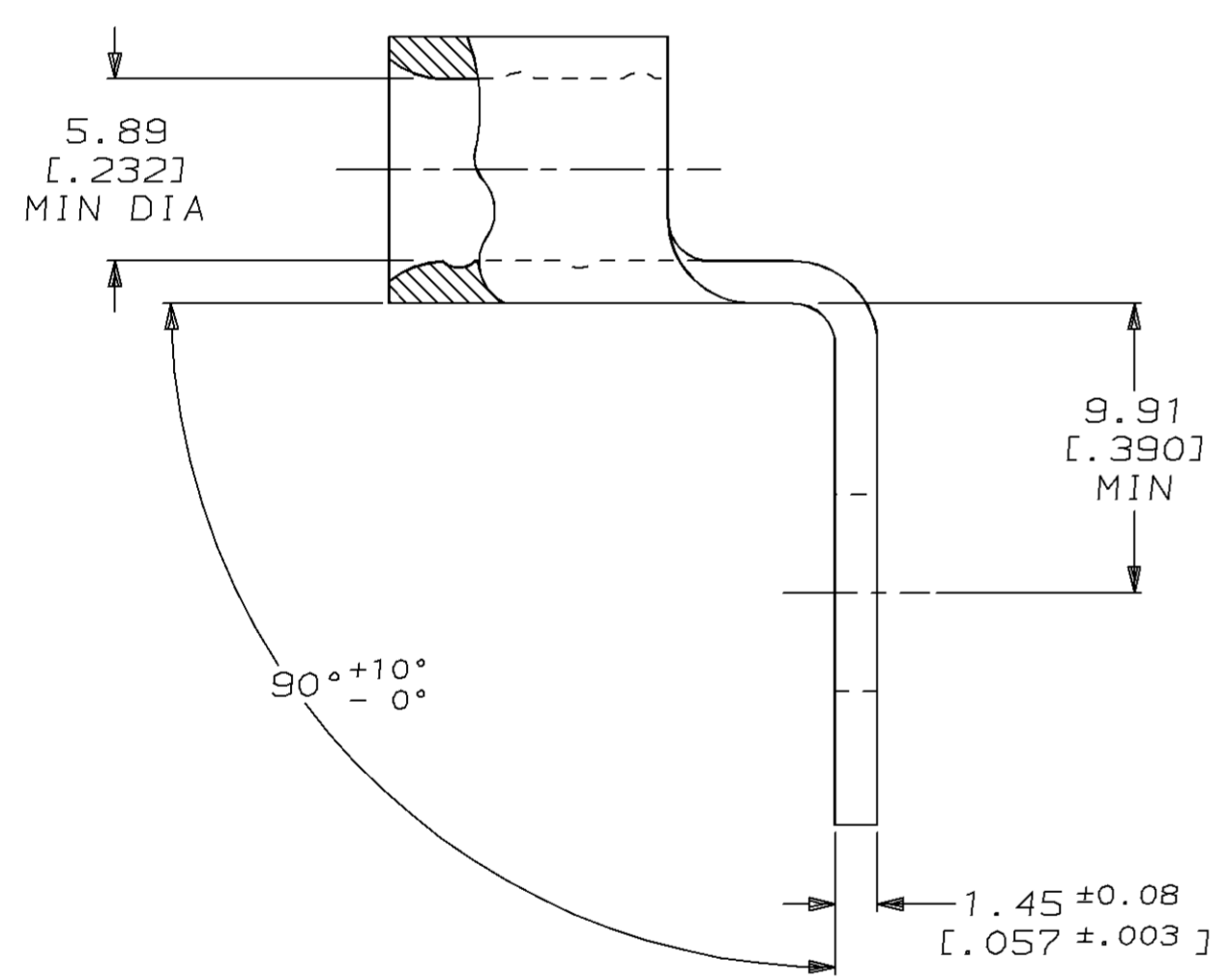
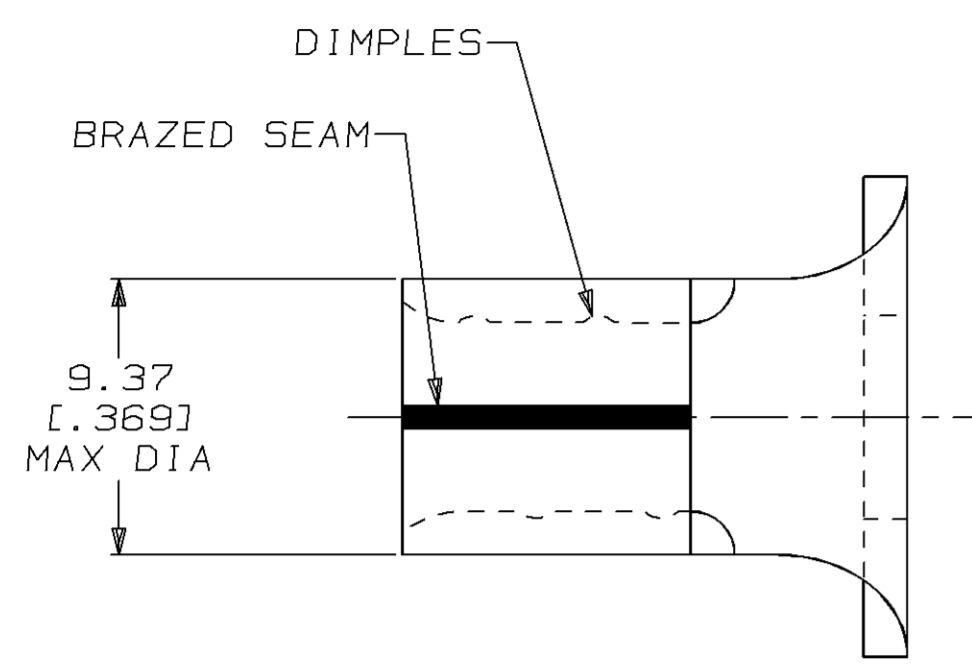


LOC		DIST		REVISIONS				DATE	APPD
ZONE	LTR	DESCRIPTION	DATE	APPD					
G	14			C	REVISED PER 0L20-0160-96	20JAN97	OKS	MJS	

**METRIC**  
 DIMENSIONS LISTED IN mm [ INCHES ]

<b>AMP</b> WIRE RANGE	<b>UL</b> E13288 Listed
6 AWG SOLID OR STRANDED	6 AWG STRANDED
<b>SP</b> LR7189 Certified	MILITARY P/N AND CLASS
6 AWG SOLID OR STRANDED	NOT APPLICABLE

△ STAMP AMP 6\* APPROX AS SHOWN



AMP INCORPORATED CUSTOMER SERVICE SYSTEMS		MAX RECOMMENDED OPERATING TEMPERATURE: 170°C MAX	DO NOT SCALE PRINT. UNLESS SPECIFIED DIMENSIONS IN mm [INCHES] TOLERANCES ON: 2 PLC DEC ± 0.20 [.008] 3 PLC DEC ± - ANGLES ± -	DR 01JUN94 DK SCHRUM CHK 05AUG94 DA PATTERSON APPD 05AUG94 CH KULYNYCH APPD 05AUG94 JL MECKLEY PRODUCT SPEC - APPLICATION SPEC - WEIGHT -	35678 PART NO	
FOR ADDITIONAL PRODUCT INFORMATION OR COPIES OF DRAWINGS AND TECHNICAL DOCUMENTS	PRODUCT INFORMATION CENTER 1-800-522-6752	VOLTAGE RATING: NOT APPLICABLE	MATERIAL COPPER PER ASTM B-152 ANNEALED	AMP Incorporated Harrisburg, PA 17105-3608	NAME TERMINAL, RING TONGUE, BENT 90°, SOLISTRAND™	
FOR APPLICATION TOOLING INFORMATION	TOOLING ASSISTANCE CENTER 1-800-722-1111	WIRE CROSS SECTIONAL AREA RANGE: 10.5-16.8mm² [20,800-33,100] CIR MILS SOLID OR STRANDED	FINISH TIN PLATE 0.00254[.000100] MIN THK PER MIL-T-10727	SIZE C 00779		DRAWING NO G-35678
FOR ORDER ENTRY	1-800-526-5142	THIS DRAWING IS A CONTROLLED DOCUMENT FOR AMP INCORPORATED. IT IS SUBJECT TO CHANGE AND THE CONTROLLING ENGINEERING ORGANIZATION SHOULD BE CONTACTED FOR THE LATEST REVISION.		SCALE 4:1		SHEET 1 OF 1